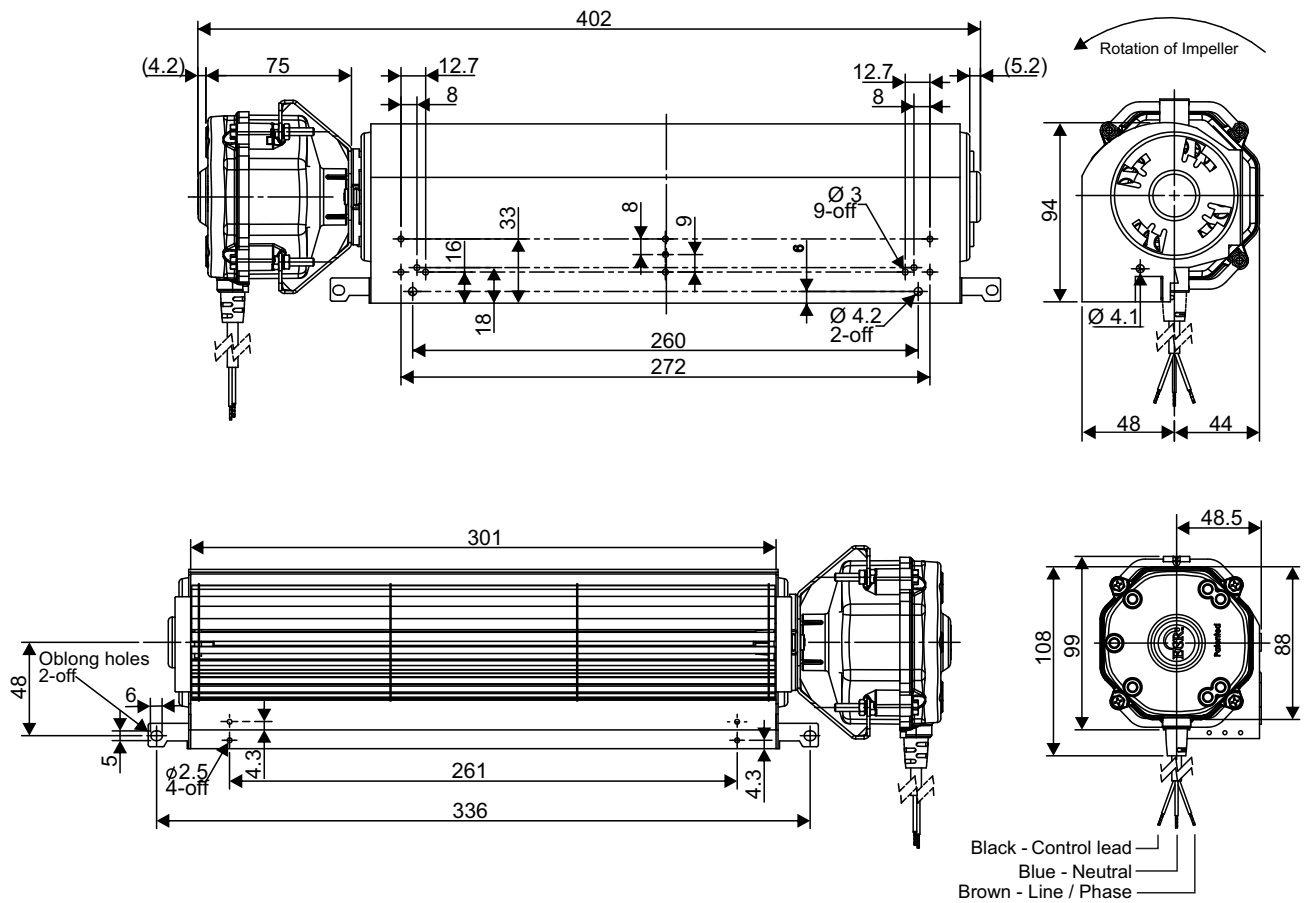


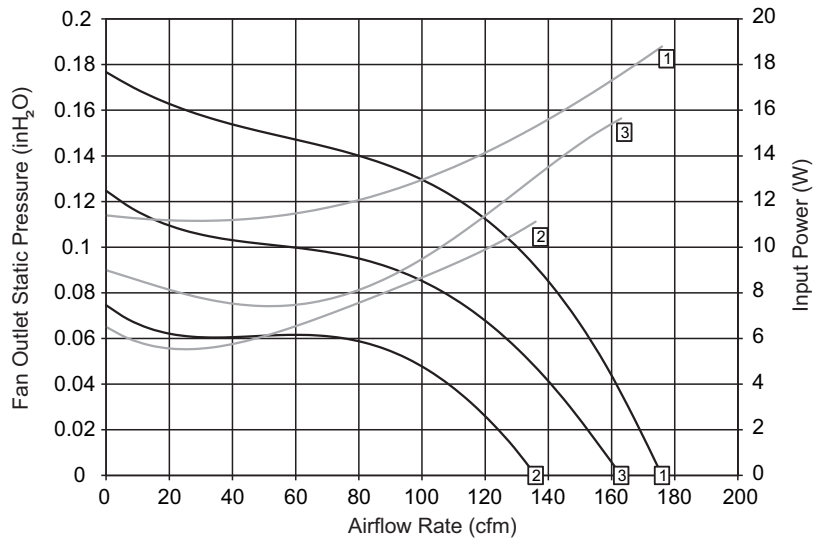
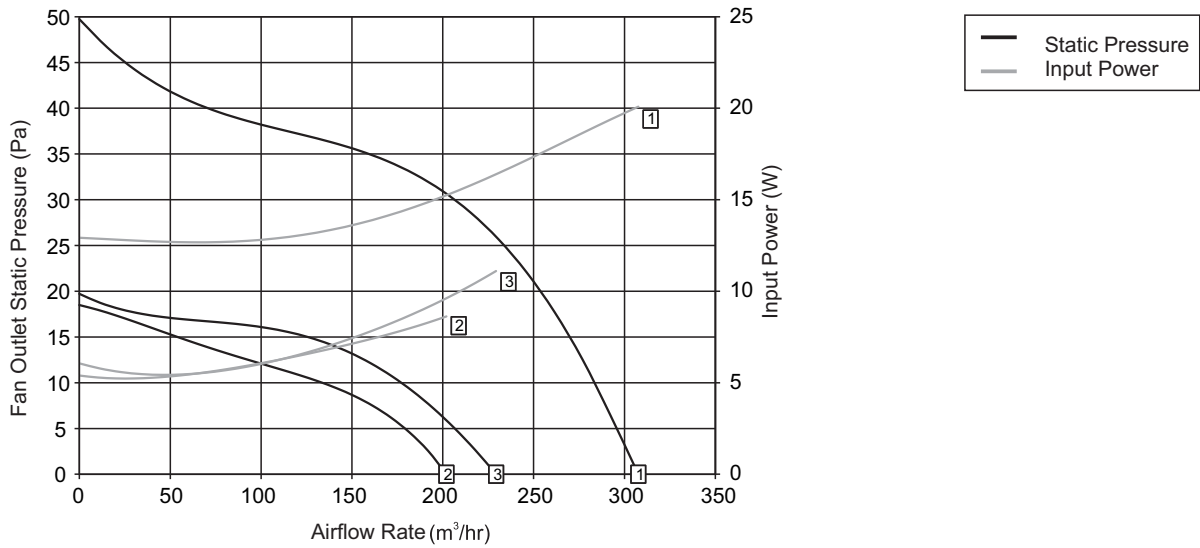
ECR Crossflow Fans

ECR Crossflow Fans with 60 x 300 mm scroll



Product Code	Motor	Voltage	Output & Corresponding Speed	Mode of Operation	Airflow Graph
01B***360300***	ECR01B***3	230V, 50/60Hz	20W @ 1500 RPM	No Speed Control	1
01B***460300***	ECR01B***4	230V, 50/60Hz	9W @ 1250 RPM	Speed Control 1300 RPM	2
82P***160300***	ECR82P***1	230V, 50Hz	12W, 1500 RPM	Sync Speed	3
01A***360300***	ECR01A***3	115V, 60Hz	16W @ 1550 RPM	No Speed Control	1
01A***460300***	ECR01A***4	115V, 60Hz	9W @ 1500 RPM	Speed Control 1500 RPM	2
92P***160300***	ECR92P***1	120V, 60Hz	16W, 1800 RPM	Sync Speed	3





Product Specifications

Approvals	UL [®] US, CE*, VDE*
Speed	ECR01A & 01B type: Standard speed or user defined speed ECR82P & 92P type: Precision fixed speed. UltraSynch technology means that the motor speed remains absolutely constant regardless of power supply fluctuations.
Electronic Control Safety Features	If the ECR01 motor fails to start, locked rotor/stall detection switches the motor to standby mode, with automatic restart after 60 seconds. If the ECR82/92 motor fails to start or is forced outside the preset range, locked rotor/stall detection switches the motor to standby mode, with automatic restart after 40 seconds. The software detection protects the motor with a timed restart algorithm to limit maximum winding temperature. Self-setting thermal protection stops the motor if over-temperature occurs. The motor restarts when the winding temperature is back within the operating range
Moisture and Dust Protection	ECR motors are IP55. In all ECR motors a conformal coating is applied to the electronic control board for complete moisture protection.
Operating Temperature	-30°C to +50°C (-22°F to +122°F)
Voltage Range	TBA
Direction of Rotation	Depends upon location of motor on scroll (RHS or LHS)
Weight	1.4kg
Special Designs	For more special designs, please contact a Wellington office near you.

* CE & VDE - approvals pending